

	HAL Software Lifesciences	Date: 25/10/2015	
		Doc no.:	

HAL Software Ireland, Ashgrove House Campus

Spike

Proc_UpstreamSetup

Functional Design Specification for Manufacturing Control
System

HAL Software Ireland, Ashgrove House Campus

	HAL Software Lifesciences	Date: 25/10/2015	
		Doc no.:	

APPROVALS

Functional Area	Required Approver	Date
Author / Originator	Print Name:	
	Sign Name:	
Engineering	Print Name:	
	Sign Name:	
Operations	Print Name:	
	Sign Name:	
Automation	Print Name:	
	Sign Name:	
QAV	Print Name:	
	Sign Name:	

	HAL Software Lifesciences	Date: 25/10/2015	
		Doc no.:	

Revision History

Revision	Date	Author	Description


	HAL Software Lifesciences	Date: 25/10/2015	
		Doc no.:	

Table of Contents

APPROVALS.....	2
Revision History.....	3
Table of Contents.....	4
Reference Documentation.....	6
1. Proc_UpstreamSetup.....	7
1.1. T1 Logic.....	7
1.2. T2 Logic.....	7
1.3. T3 Logic.....	8
1.4. UP_Setup:2.....	8
1.5. UP_Setup:3.....	8
1.6. UP_Setup:4.....	8
1.7. UP_Dummy:1.....	8
1.8. T5 Logic.....	8
1.9. T0 Logic.....	8
1.10. UP_Setup:1.....	9
1.11. Formula Name.....	9

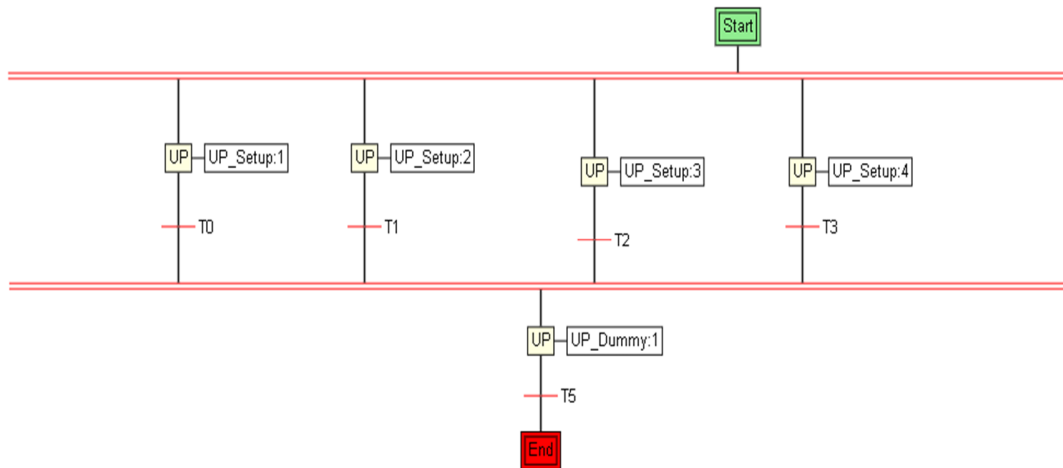
	HAL Software Lifesciences	Date: 25/10/2015	
		Doc no.:	

	HAL Software Lifesciences	Date: 25/10/2015	
		Doc no.:	

Reference Documentation

Document	Ref.	Title

1. Proc_UpstreamSetup



1.1. T1 Logic

```

#####
# Transition: Proc_UpstreamSetup/T1
#####

def main():
    """Main Function"""

    # Transition code...
  
```

1.2. T2 Logic

```

#####
# Transition: Proc_UpstreamSetup/T2
#####

def main():
    """Main Function"""

    # Transition code...
  
```

	HAL Software Lifesciences	Date: 25/10/2015	
		Doc no.:	

1.3. T3 Logic

```
#####
# Transition: Proc_UpstreamSetup/T3
#####

def main():
    """Main Function"""

    # Transition code...
```

1.4. UP_Setup:2

1.5. UP_Setup:3

1.6. UP_Setup:4

1.7. UP_Dummy:1

1.8. T5 Logic

```
#####
# Transition: Proc_UpstreamSetup/T5
#####

def main():
    """Main Function"""

    # Transition code...
```

1.9. T0 Logic

```
#####
# Transition: Proc_UpstreamSetup/T0
#####

def main():
    """Main Function"""

    # Transition code...
```


	HAL Software Lifesciences	Date: 25/10/2015	
		Doc no.:	

1.10. UP_Setup:1

1.11. Formula Name

Formula Name
HaspergenBio